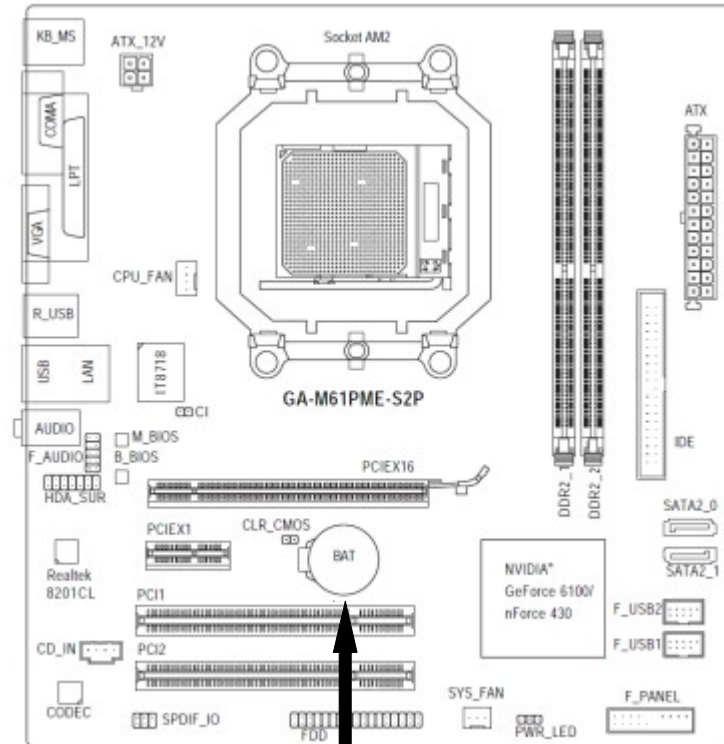


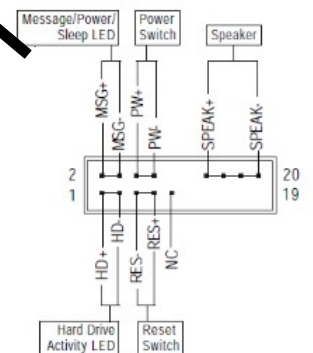
# TB275 (Rev1) – Booting and Battery Replacement Gigabyte GA-M61PME-S2P

1. Replace Battery (CR2032)
2. Boot by shorting pins as shown below.
3. Watch Screen during Boot To note which key allows you enter enter Setup (Usually “delete” or “F10”) and press that key to enter Setup. If you don't catch it fast enough, power off and then power back up.
4. Change and Save CMOS Settings as shown below.



Short "Power Switch" pins

In the BIOS: Power management setup->AC Back Function->ON



## Document History

Rev1 Created on 2014-04-08 by #277