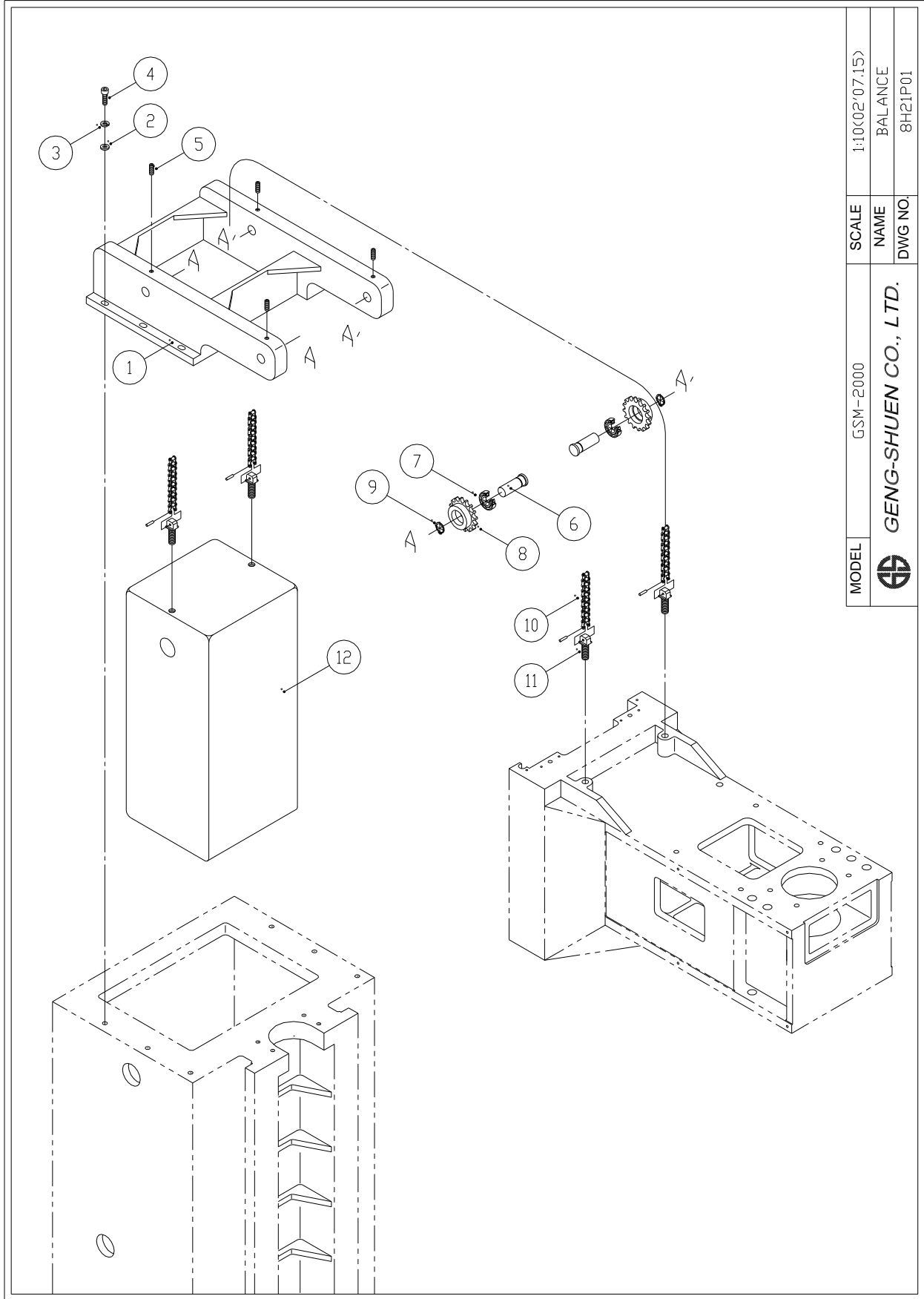


MODEL	GSM-2000	SCALE	1:16(02'08.03)
		NAME	BASE & COLUMN
		DWG NO	8H10P01
 GENG-SHUEN CO., LTD.			



1:10(02'07.15)

SCALE

GSM-2000

MODEL

BALANCE

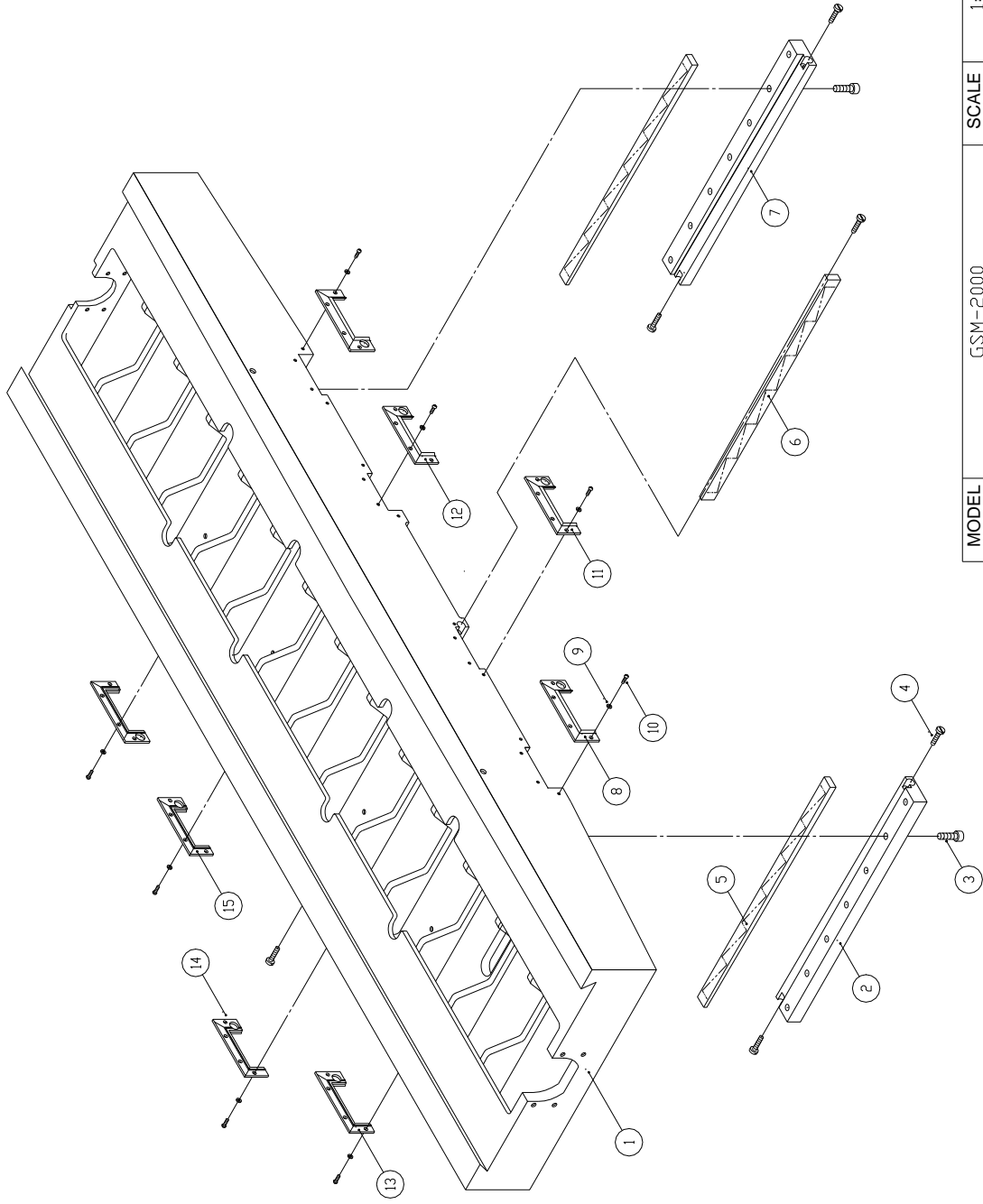
NAME

GENG-SHUEN CO., LTD.

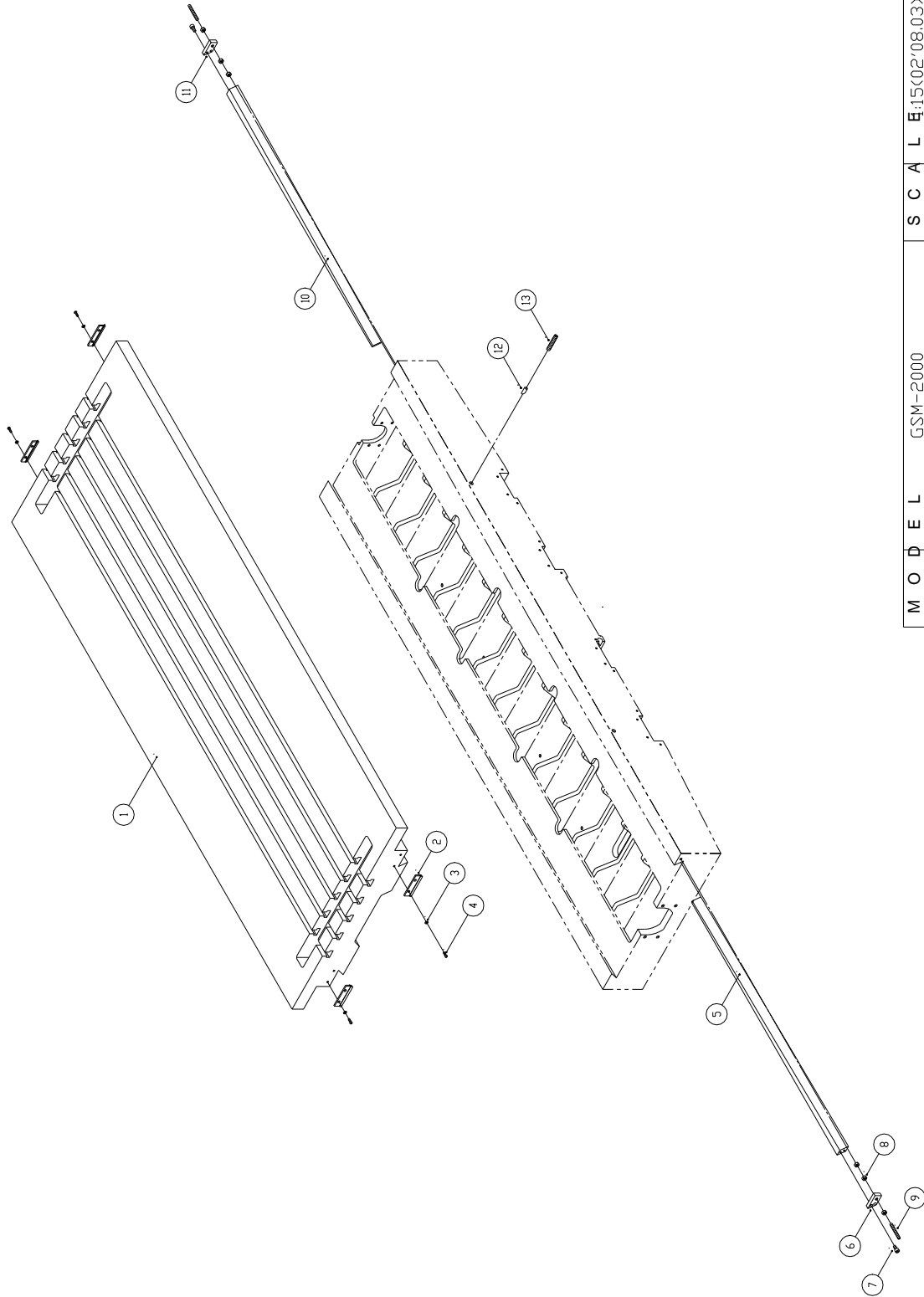


8H21P01

DWG NO.



MODEL	GSM-2000	SCALE	1:10(02/08.03)
		NAME	SADDLE
		DWG NO.	8H30P01
 GENG-SHUEN CO., LTD.			



M O D E L GSM-2000

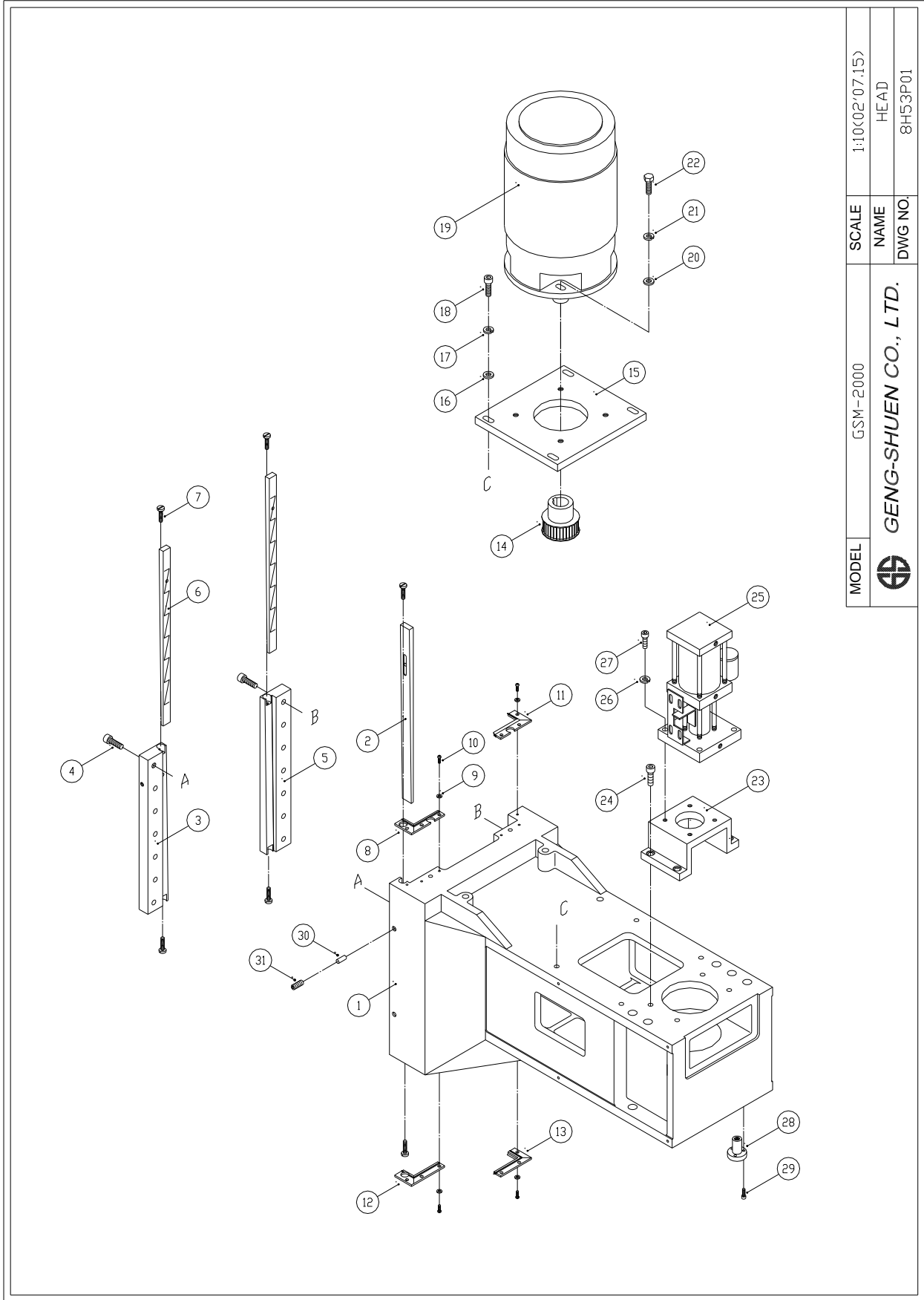
S C A L E: 1:15 (02/08,03)

N A M E TABLE

D W G N Q8H40P01



GENG-SHUEN CO., LTD.



MODEL	GSM-2000	SCALE	1:10(02'07.15)
		NAME	HEAD
		DWG NO.	8H53P01
 GENG-SHUEN CO., LTD.			

PART LIST

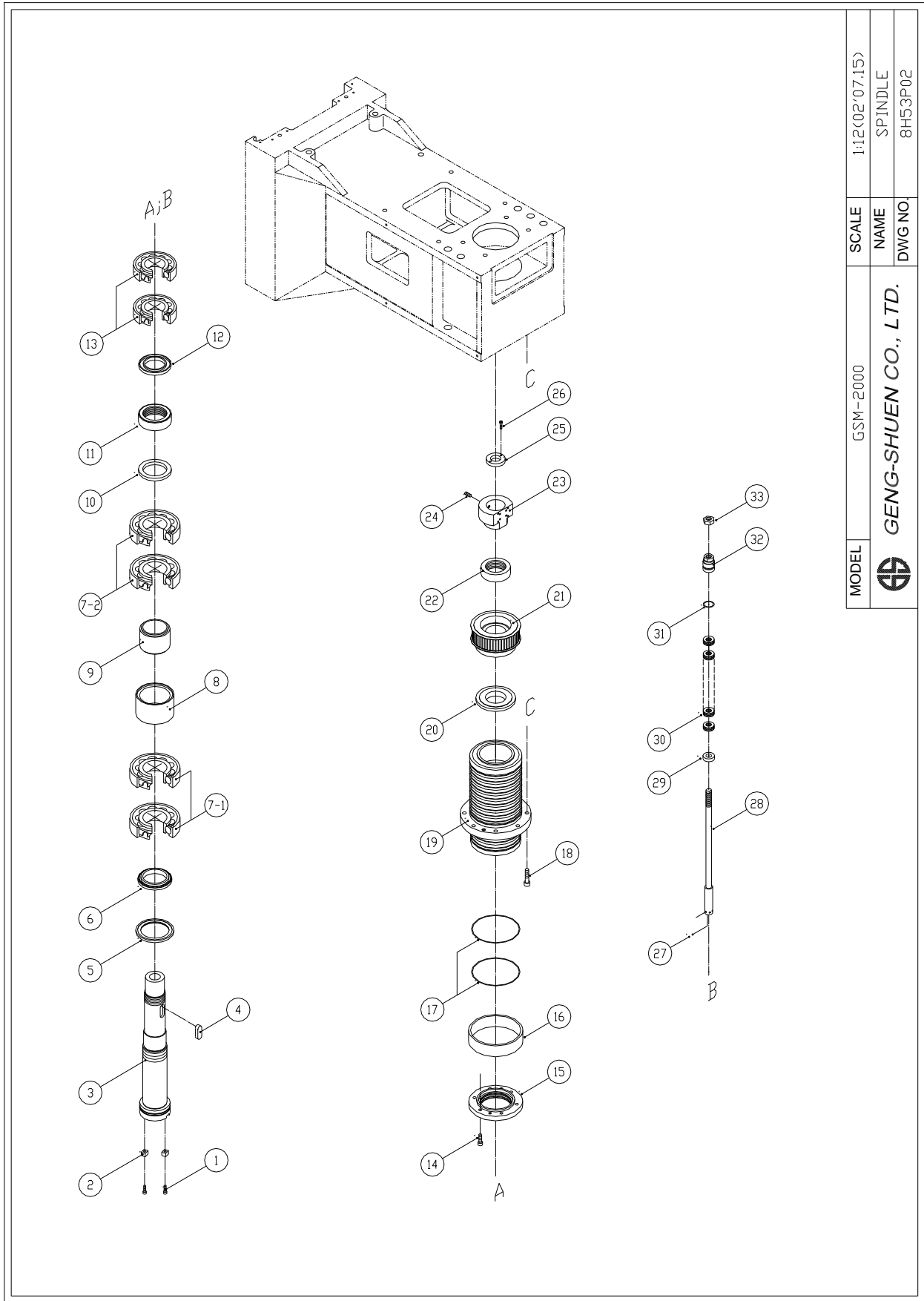
MODEL: GSM-2000(HEAD)


PAGE: 1 / 2

ITEM	PART NO	PART NAME	Q'TY	SPECIFICATION	Remarks
1	6B530010	Head Seat	1		
2	6B530020	Gib (Z-axis)	1		
3	6B530030	Holding plate (Left)	1		
4		Socket HD. Cap Screw	14	M12X40L	
5	6B530040	Holding plate (Right)	1		
6	6B530050	Gib (Z axis, lower)	2		
7	5B300060	Lock Screw	6		
8	6B530060	Wiper (Up Left)	1		
9		Flat Washer	12	W-M6	
10		Round Cross Screw	12	M6X12L	
11	6B530080	Wiper (Up right)	1		
12	6B530070	Wiper (Down Left)	1		
13	6B530090	Wiper (Down Right)	1		
14	5B53004*	Spindle Pulley	1		
15	5B53006*	Motor Bracket	1		
16		Flat Washer	4	W-M12	
17		Spring Washer	4	SW-M12	
18		Socket HD. Cap Screw	4	M12X40L	
19		Spindle motor	1		
20		Flat Washer	4	W-M14	
21		Spring Washer	4	SW-M14	
22		Socket HD. Cap Screw	4	1/2-20UNFX40L	
23	5B530080	Cylinder Bracket	1		

File:8H53P01

02'07.15



MODEL	GSM-2000	SCALE	1:12<02'07.15>
		NAME	SPINDLE
		DWG NO	8H53P02
 GENG-SHUEN CO., LTD.			

PART LIST

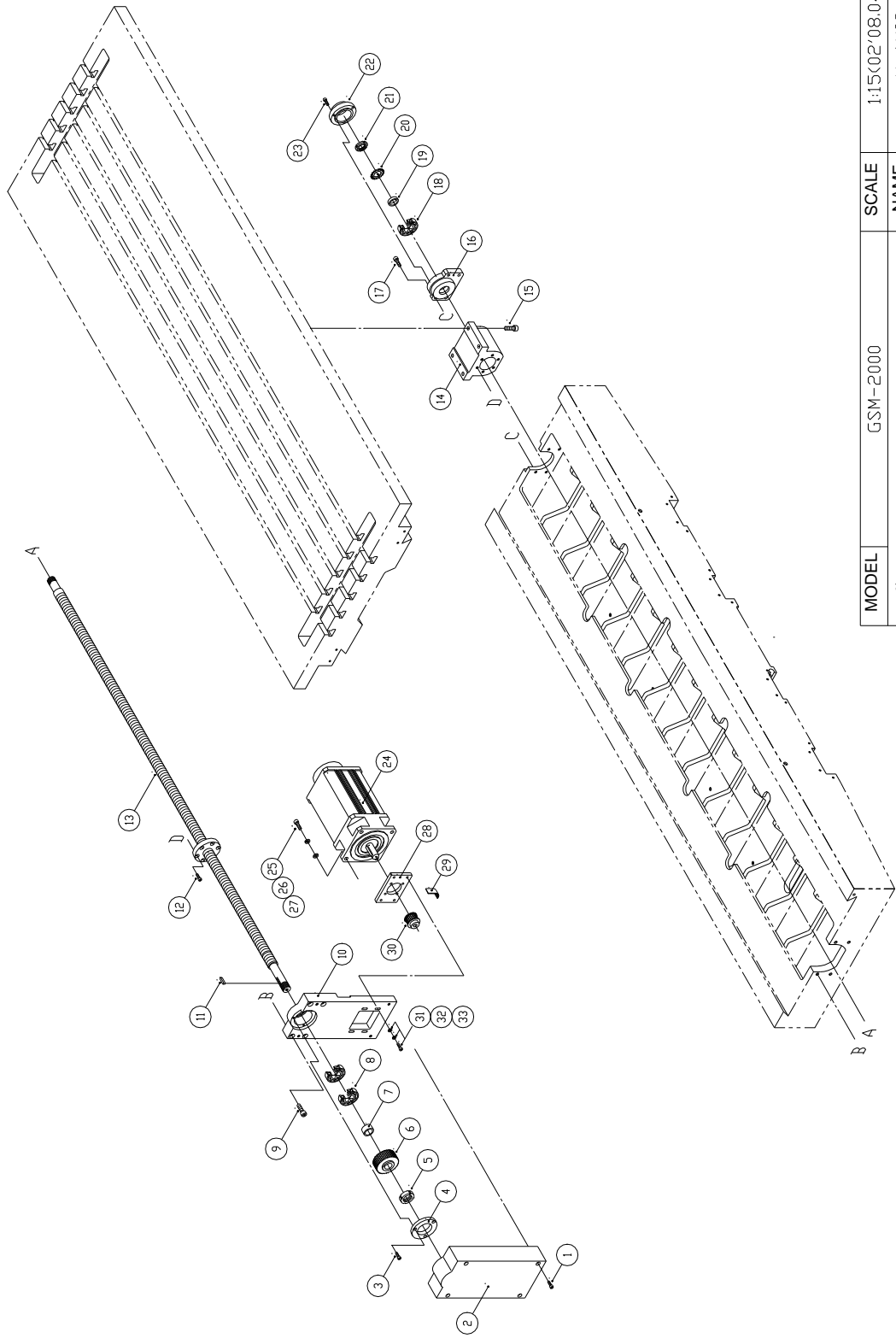
Model : GSM-2000(SPINDLE)


Page: 1 / 2

ITEM	PART NO.	PART NAME	Q'TY	SPECIFICATION	REMARKS
1		Socket HD. Cap Screw	2	M6X16L	
2	SA21010	Spindle End Key	1		
3	RM41102	Spindle	1		
4		Two Round HD Key	1	16X10X45	
5	SA21040	Ring	1		
6	SA21030	Ring	1		
7		Bearing	4	7014CG/GNP4	NTN
8	SA21070	External Spacing Ring	1		
9	SA21080	Internal Spacing Ring	1		
10	RM40109	Middle Spacing Ring	12		
11		Nut	1	MK70XP2	
12	RM40111	Rear Spacing Ring	1		
13		Bearing	1	7012CG/GNP4	NTN
14		Socket HD. Cap Screw	6	M8X20L	
15	SA21020	Front End Cap	1		
16	RM40129	Bushing	1		
17		O Ring	2	G140	
18		Socket HD. Cap Screw	8	M10X40L	
19	SA21210	Sleeve	1		
20	RM40126	Dustproof Cover	1		
21	SA21160E1	Spindle pulley	1		
22		Rear Nut	1	MK60XP2	
23	RM40115C	Positioning Wheel	1		

File:8H53P02

02'07.15



MODEL	GSM-2000	SCALE	1:15(02'08.04)
		NAME	X-AXIS
		DWG NO	8HDXP01
 GENG-SHUEN CO., LTD.			

PART LIST

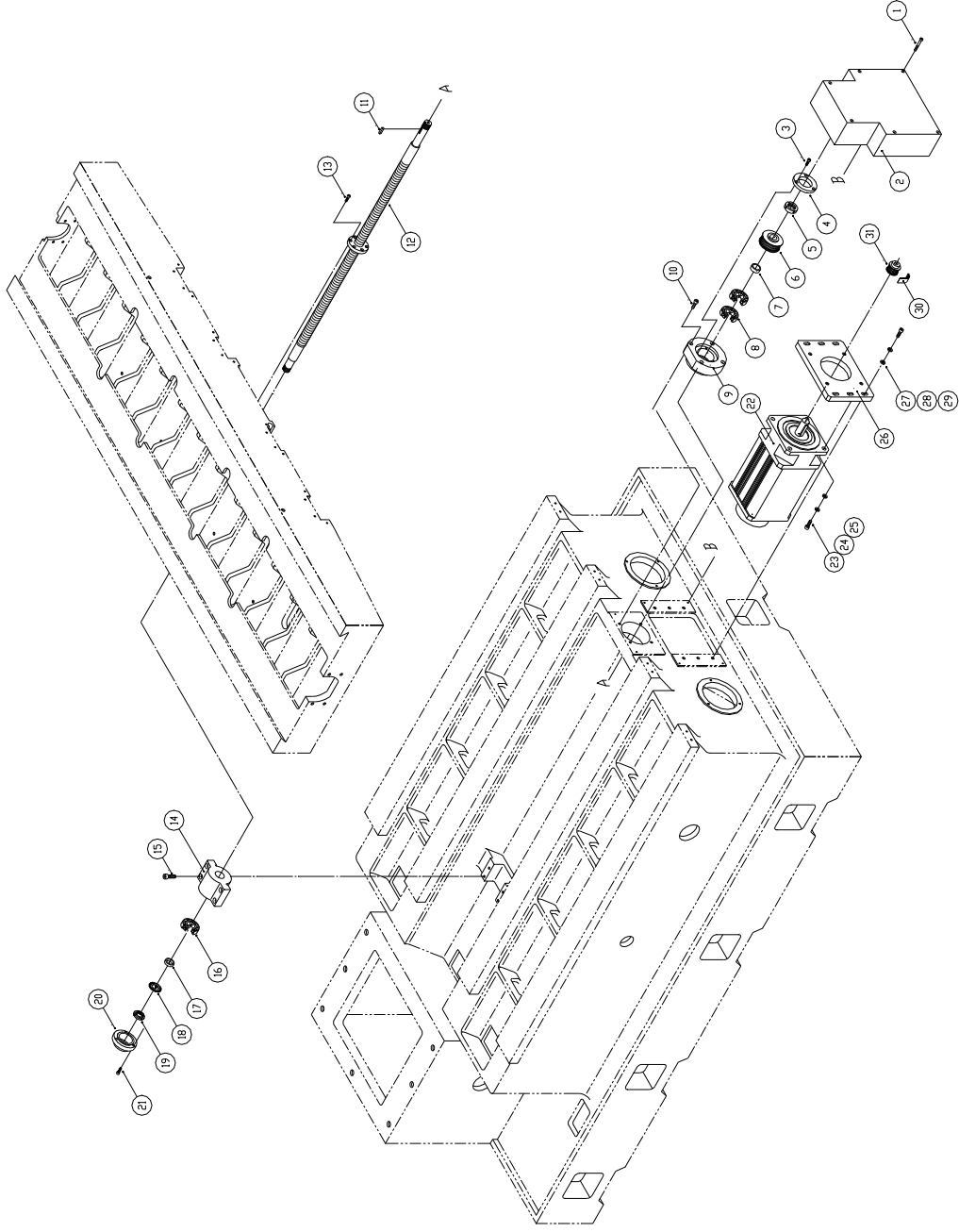
Model : GSM-2000(X AXIS)

Page: 1 / 2

ITEM	PART NO.	PART NAME	Q'TY	PECIFICATION	REMARKS
1		Socket HD. Cap Screw	4	M8X65L	
2	5BDX0090	X-Axis Motor Sealing Gland	1		
3		Socket HD. Cap Screw	3	M6X16L	
4	5BDX0060	Front-end Bearing Collar	1		
5		Lock Nut	1	YSRM30XP1.5	
6	5BDX012*	Driving Pulley	1		
7	6HDX0020	Bearing Collar	1		
8		Angular contact Ball Bearing	1set	30TAC62BDF	
9		Socket HD. Cap Screw	4	M10X30L	
10	3BDX0022	X-axis Motor Bracket	1		
11		Round Key	1	6X6X27L	
12		Socket HD. Cap Screw	4	M10X25L	
13	8HDX0010	X-axis Ball Screw	1set		
14	8HDX0030	X-axis ball screw seat	1		
15		Socket HD. Cap Screw	4	M10X30L	
16	6MDX0040	End-side Bearing Space Collar	1		
17		Socket HD. Cap Screw	4	M8X20L	
18		Deep Groove Ball Bearing	1	6305	
19	5BDX0080	End-side Bearing Space Collar	1		
20		Sun Washer	1	AW-05	
21		Lock Nut	1	AN-05	
22	5BDX0070	End-side Bearing Collar	1		
23		Socket HD. Cap Screw	3	M6X20L	

File:8HDXP01

02'08.04



1:18(02'08.04)

SCALE

GSM-2000

MODEL

Y-AXIS

NAME

GENG-SHUEN CO., LTD.



8HDP01

DWG NO.

PART LIST

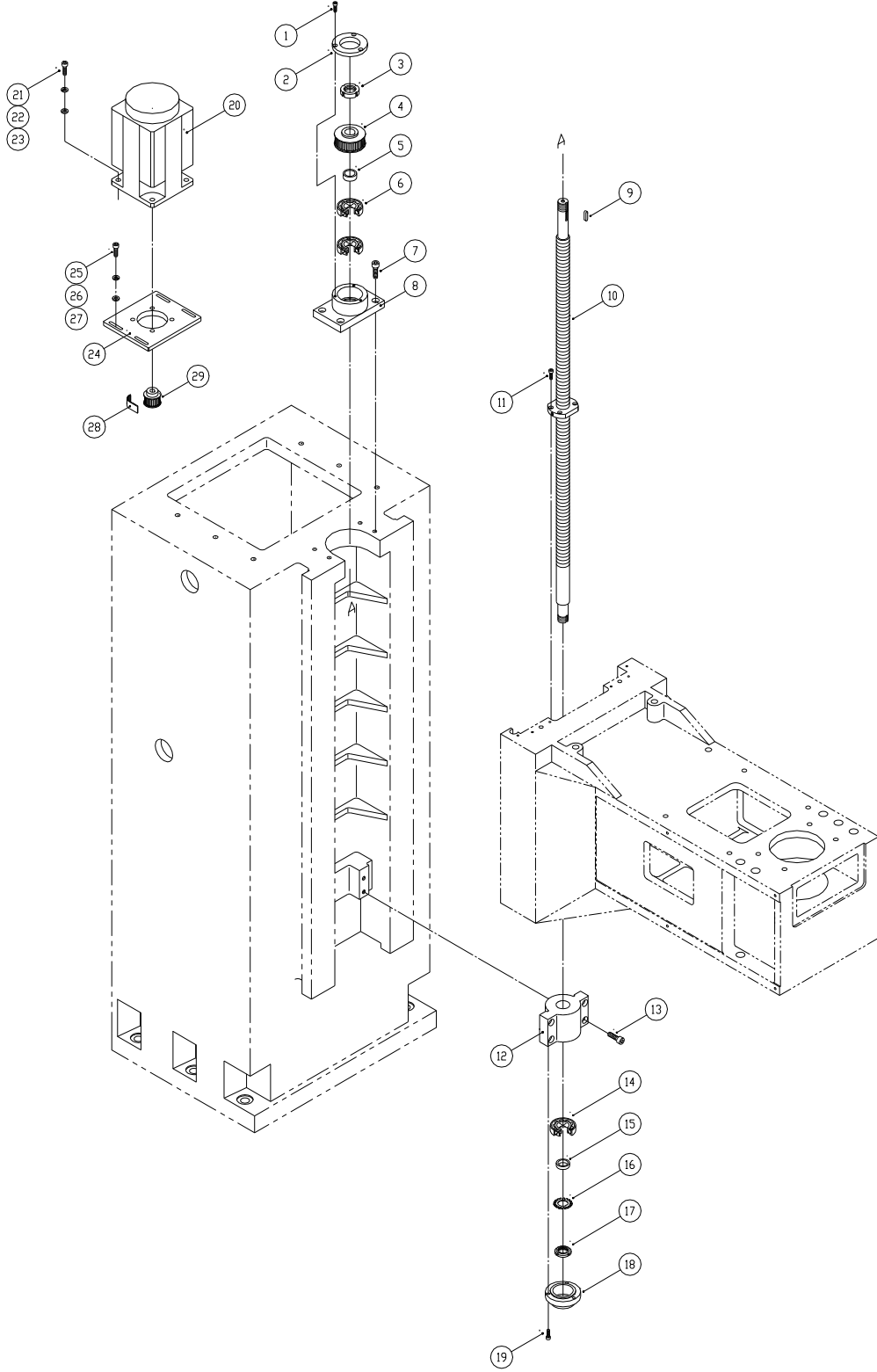
Model : GSM-2000(Y AXIS)

Page: 1 / 2

ITEM	PART NO.	PART NAME	Q'TY	SPECIFICATION	REMARKS
1		Socket HD. Cap Screw	6	M6X65L	
2	8HDY0030	Y Axis Motor Sealing Cap	1		
3		Socket HD. Cap Screw	3	M6X16L	
4	5BDX0060	Front-end bearing collar	1		
5		Lock nut	1	YSRM30XP1.5	
6	5BDX012*	Driving Pulley	1		
7	6HDX0020	Bearing Collar	1		
8		Angular contact Ball Bearing	1set	30TAC62BDF	
9	6HDY0020	Front-end bearing collar	1		
10		Socket HD. Cap Screw	4	M8X40L	
11		Round Key	1	6X6X27L	
12	8HDY0010	Y Axis Ball Screw	1set		
13		Socket HD. Cap Screw	5	M10X25L	
14	5BDY0040	Y.Z. axes end-side bearing seat	1		
15		Socket HD. Cap Screw	4	M8X25L	
16		Angular contact Ball Bearing	1	6305	
17	5BDX0080	End-side bearing space Collar	1		
18		Sun Washer	1	AW-05	
19		Lock nut	1	AN-05	
20	5BDX0070	End-side bearing outer Collar	1		
21		Socket HD. Cap Screw	3	M6X20L	
22		Motor	1		
23		Socket HD. Cap Screw	4		

File:8HDYP01

02'08.04



1:12<02'07.15>

SCALE

NAME

DWG NO

GSM-2000

GENG-SHUEN CO., LTD.



Z-AXIS
8HDZP01

PART LIST

MODEL: GSM-2000(Z AXIS)

PAGE: 1 / 2

ITEM	PART NO	PART NAME	Q'TY	SPECIFICATION	Remarks
1		Socket HD. Cap Screw	3	M6X16L	
2	5BDX0060	Front-end bearing outer collar	1		
3		Lock nut	1	YSRM30XP1.5	
4	5BDX012*	Driving Pulley	1		
5	6HDX0020	Bearing Collar	1		
6		Angular contact Ball Bearing	1set	30TAC62BDF	
7		Socket HD. Cap Screw	4	M10X30L	
8	5BDZ0020	Front-end bearing collar	1		
9		Round Key	1	6X6X27L	
10	6BDZ0010	Z-axis Ball Screw	1set		
11		Socket HD. Cap Screw	5	M10X25L	
12	5BDY0040	Y.Z Axes Ball Screw Seat	1		
13		Socket HD. Cap Screw	4	M8X30L	
14		Deep Groove Ball Bearing	1	6305	
15	5BDX0080	End-side bearing space collar	1		
16		Sun Washer	1	AW-05	
17		Lock nut	1	AN-05	
18	5BDX0070	End-side bearing outer Collar	1		
19		Socket HD. Cap Screw	3	M6X20L	
20		Motor	1		
21		Socket HD. Cap Screw	4		
22		Spring Washer	4		
23		Flat Washer	4		

File:8HDZP01

02'07.15

