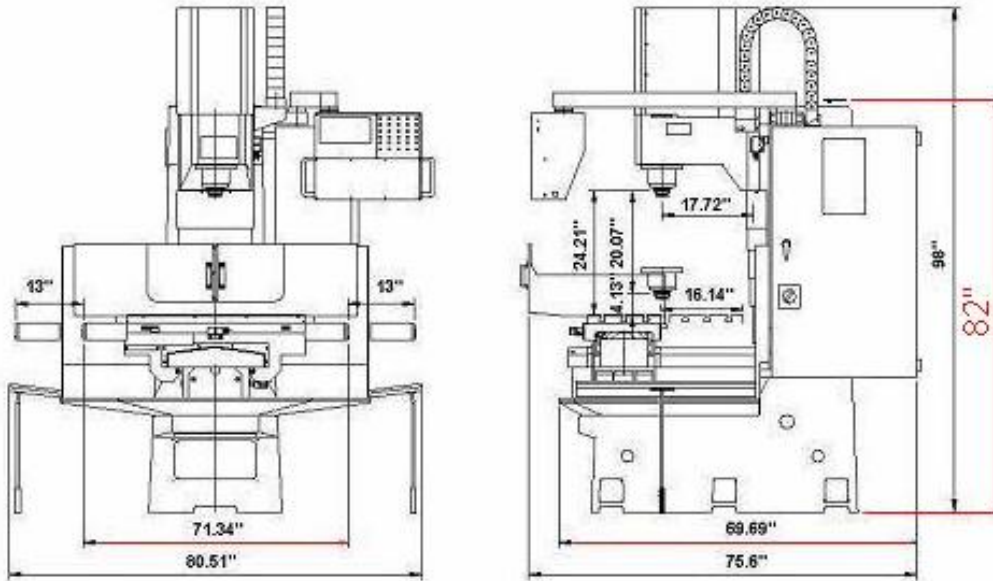
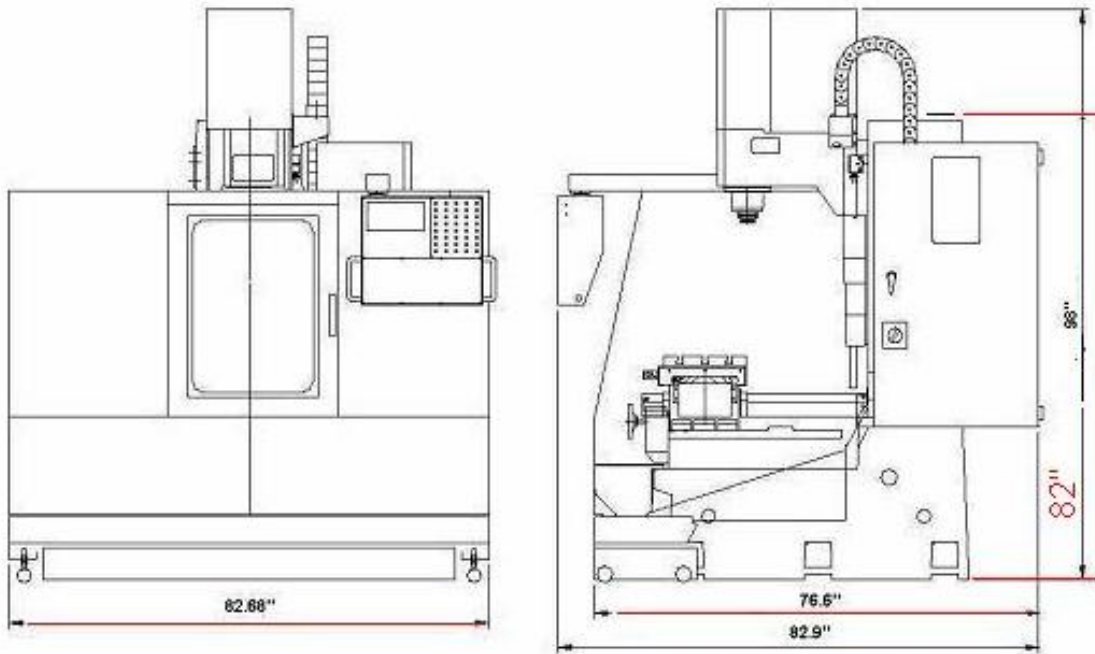


Table guard :



Full enclosure :



Requirements of foundation

With the common usage of tungsten carbide cutting tools nowadays, heavy cutting and quicker spindle speed are therefore reinforced. This may cause the vibration easily. In order to ascertain the best cutting condition, it is necessary to build a sound & good floor basis. (Please refer to following figure)

