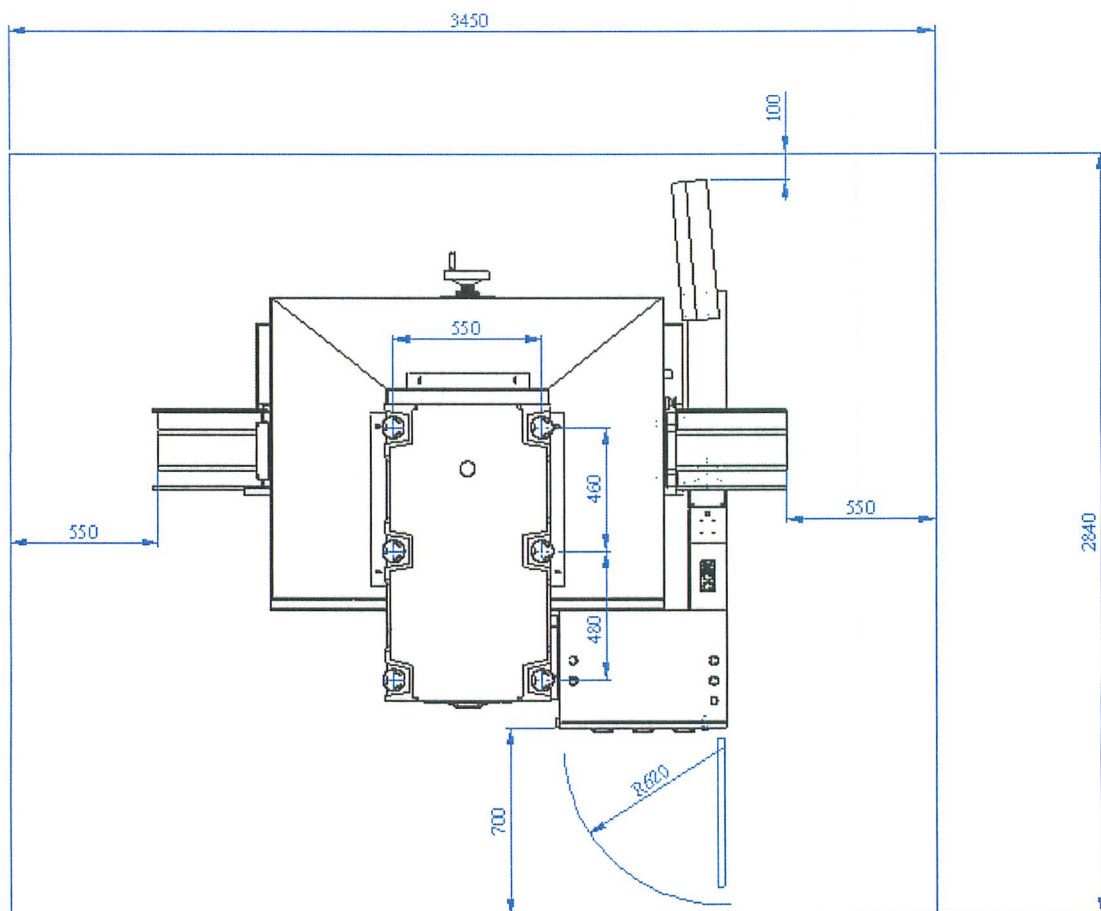


## 1.4 安裝注意事項 Installation Remark

1. 注意場地是否足夠空間以容納本機器，請參閱本說明書機器之最大地板空間尺寸圖。

Note that the site is large enough to accommodate the machine,  
refer to the manual machine's maximum floor space size chart



Machine floorspace required need 2700mm-2750mm

## CHAPTER 2

### 機械規格 Machine Specification

#### 2.1 機械外觀尺寸圖

#### Machine Outlook Measurement Drawing

