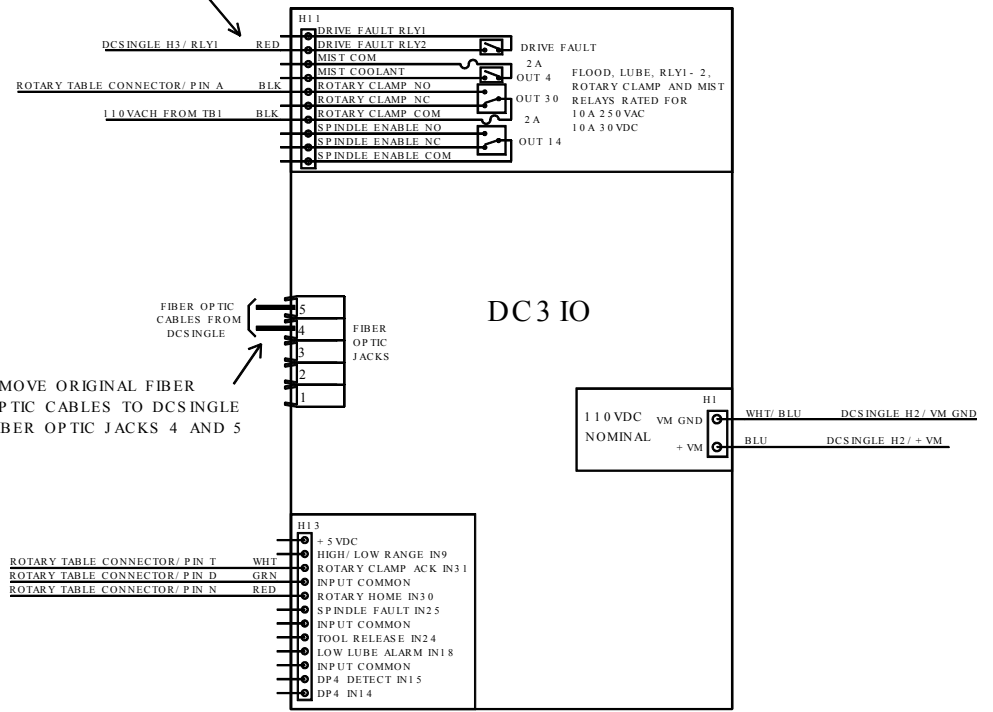


LEAVE ALL ORIGINAL WIRES AND FIBERS
CONNECTED TO THE DC3 IO EXCEPT
EXCEPT THE WIRE AT H11/ RLY2 AND
THE FIBERS OPTIC CABLES AT FIBER
OPTIC JACKS 4 AND 5

MOVE ORIGINAL WIRE
TO DC SINGLE H3/ RLY2

MOVE ORIGINAL FIBER
OPTIC CABLES TO DC SINGLE
FIBER OPTIC JACKS 4 AND 5



Title		4TH AXIS ROTARY TABLE DRIVE CONNECTIONS FOR S MODELS USING A DC3IO	
Size	Number	Rev	
B			
Date	040128	Drawn by RRJ	
Filename	4THMOD.S01	Sheet 1 of 1	