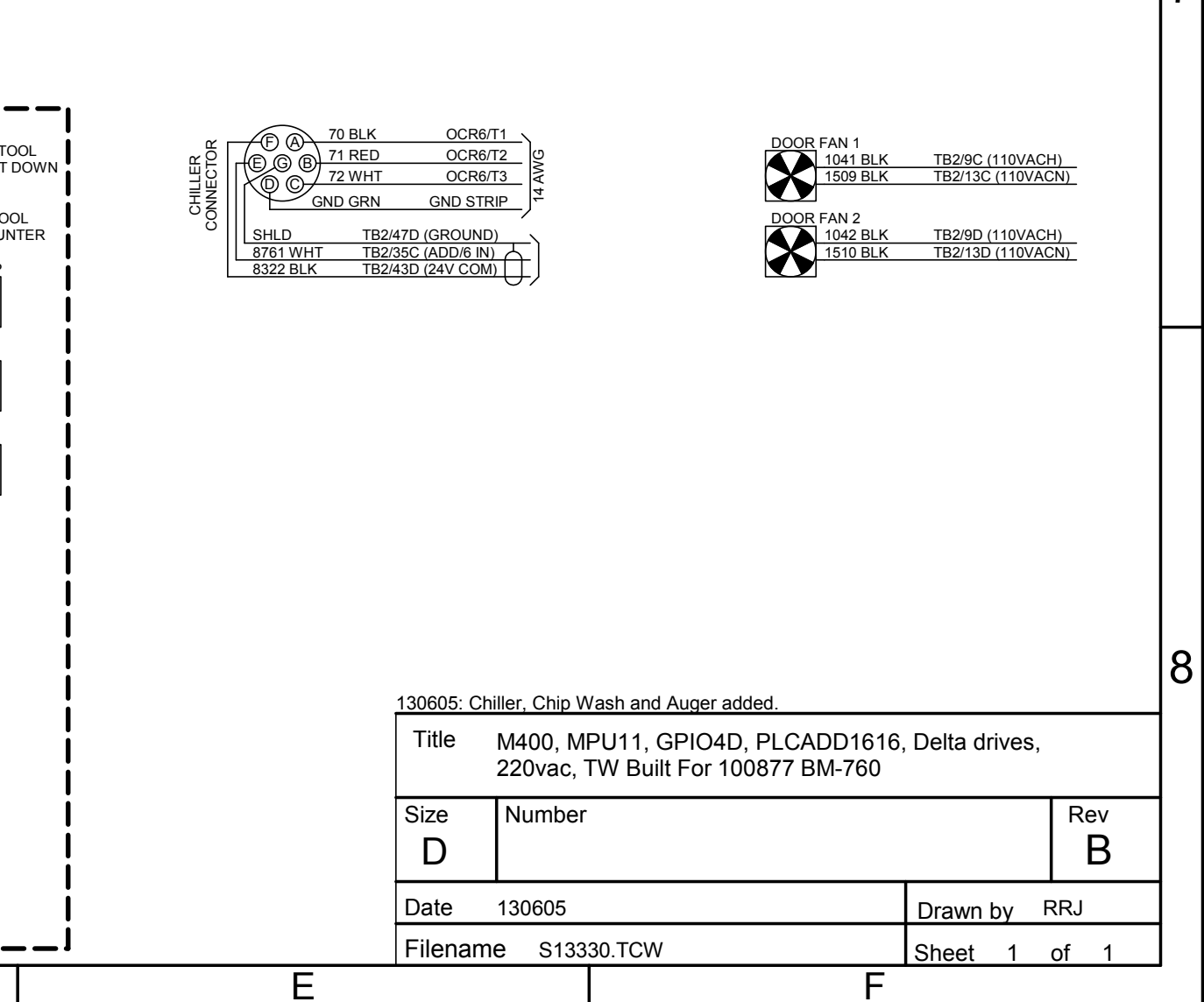
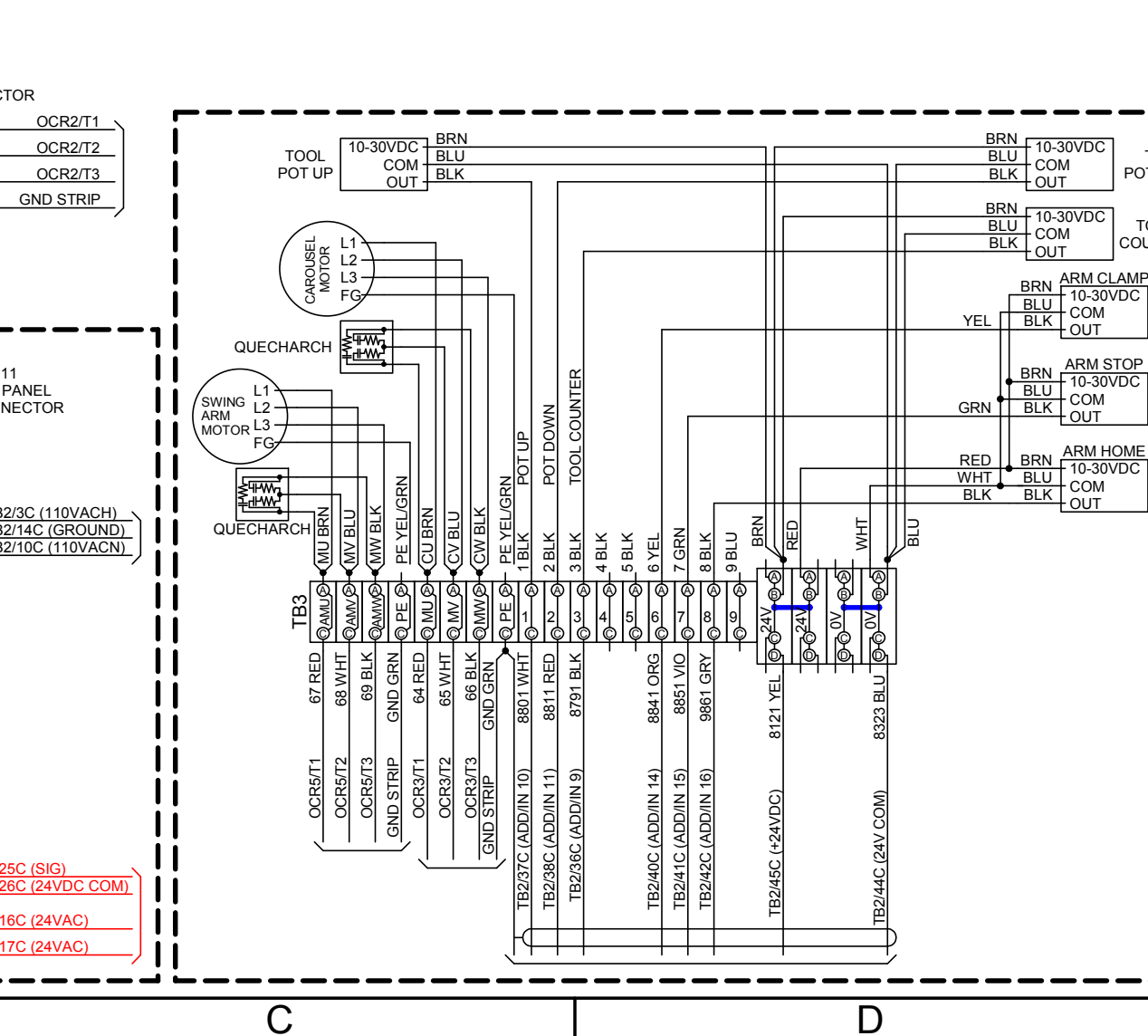
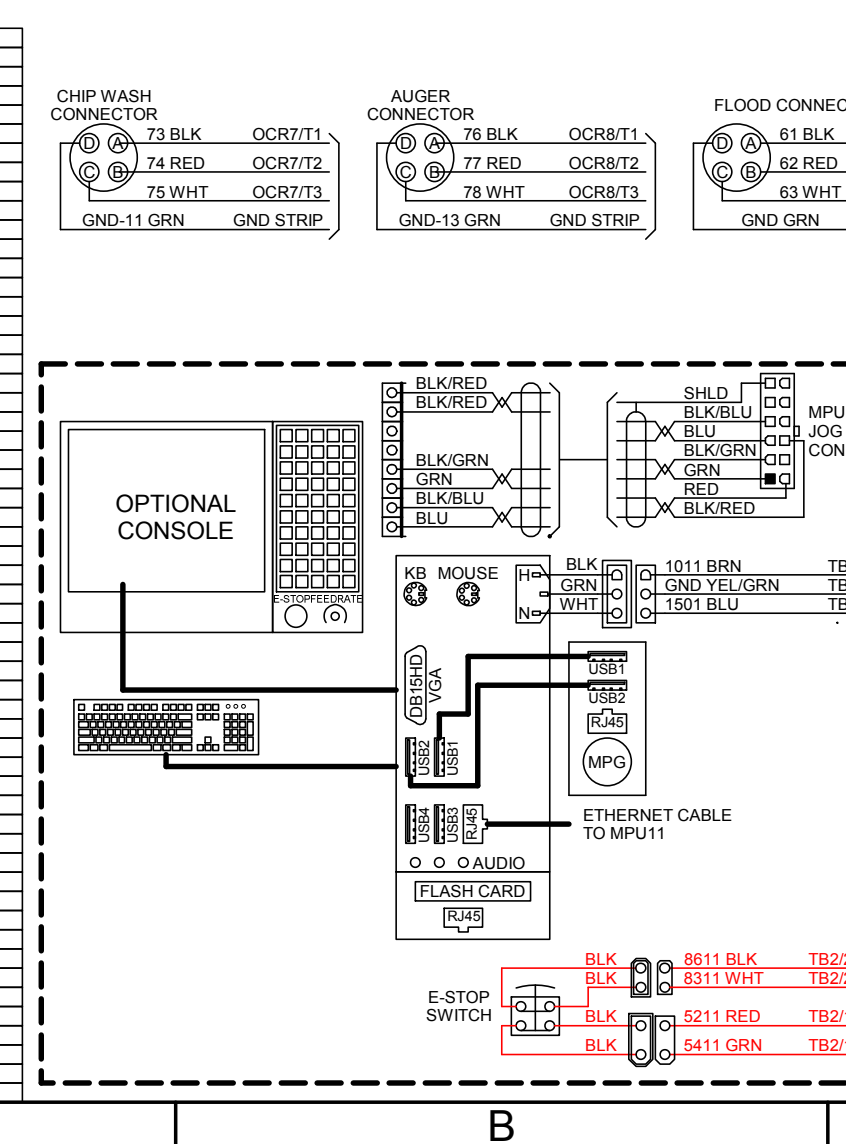


PART NUMBER	LOCATION
A4	AUGER CONNECTOR
A5	CHIP WASH MOTOR
A6	CHIP WASH MOTOR
A7	CHIP WASH MOTOR
A8	CHIP WASH MOTOR
A9	CHIP WASH MOTOR
A10	CHIP WASH MOTOR
A11	CHIP WASH MOTOR
A12	CHIP WASH MOTOR
A13	CHIP WASH MOTOR
A14	CHIP WASH MOTOR
A15	CHIP WASH MOTOR
A16	CHIP WASH MOTOR
A17	CHIP WASH MOTOR
A18	CHIP WASH MOTOR
A19	CHIP WASH MOTOR
A20	CHIP WASH MOTOR
A21	CHIP WASH MOTOR
A22	CHIP WASH MOTOR
A23	CHIP WASH MOTOR
A24	CHIP WASH MOTOR
A25	CHIP WASH MOTOR
A26	CHIP WASH MOTOR
A27	CHIP WASH MOTOR
A28	CHIP WASH MOTOR
A29	CHIP WASH MOTOR
A30	CHIP WASH MOTOR
A31	CHIP WASH MOTOR
A32	CHIP WASH MOTOR
A33	CHIP WASH MOTOR
A34	CHIP WASH MOTOR
A35	CHIP WASH MOTOR
A36	CHIP WASH MOTOR
A37	CHIP WASH MOTOR
A38	CHIP WASH MOTOR
A39	CHIP WASH MOTOR
A40	CHIP WASH MOTOR
A41	CHIP WASH MOTOR
A42	CHIP WASH MOTOR
A43	CHIP WASH MOTOR
A44	CHIP WASH MOTOR
A45	CHIP WASH MOTOR
A46	CHIP WASH MOTOR
A47	CHIP WASH MOTOR
A48	CHIP WASH MOTOR
A49	CHIP WASH MOTOR
A50	CHIP WASH MOTOR



130605: Chiller, Chip Wash and Auger added.			
Title	M400, MPU11, GPIO4D, PLCADD1616, Delta drives, 220vac, TW Built For 100877 BM-760	Rev	B
Size	D	Number	
Date	130605	Drawn by	RJ
Filename	S1330.TCW	Sheet	1 of 1